

GR680-2700

**Maximum Reach:2715 mm /
Lemma Wrist / Max Payload:8 kg**

■ Highlights

Lemma wrist, no singularity in the front, especially suitable for painting for in-the-front workpiece;
The electric control cabinet complies with EN ISO13849 PLd security level and supports aux axis;
Standard painting application software, built-in I/Os, easy integration, simple programming;
ATEX explosion-proof certification of China and Eu, can be used in zone 1 gas and zone 21 dust dangerous operation environment.

■ Applications

Specially designed for irregular shape parts painting: such as engineering engines, engineering machinery accessories, etc;
Also can be used for multi-size regular parts painting, such as containers.

■ Industries

Suitable for auto parts, logistics and transportation industries.

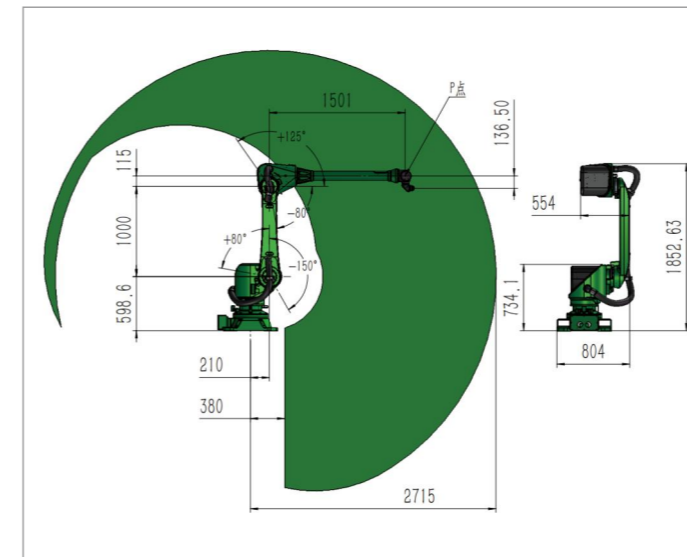


EFORT

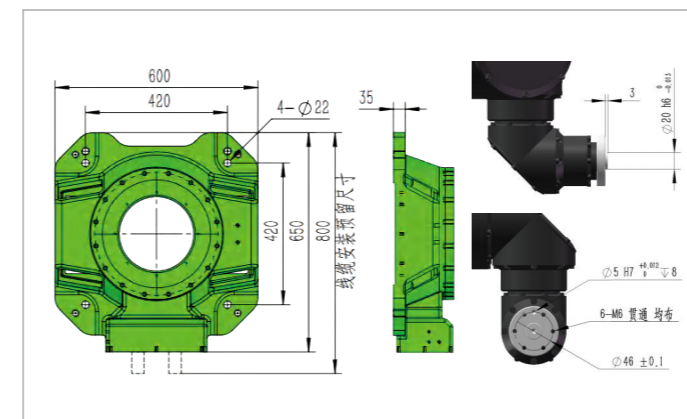
SPECIFICATIONS

Max. Payload on Wrist	8 kg		
Reach	2715 mm		
Repeatability	±0.2 mm		
Motion Range & Maximum Speed		Motion Range	Maximum Speed
	J1	±175°	150°/sec
	J2	+80°/-150°	145°/sec
	J3	+125°/-80°	150°/sec
	J4	±360°	500°/sec
	J5	±360°	500°/sec
Allowable Load Moment at Wrist	J4	30 N·m	
	J5	25 N·m	
	J6	12 N·m	
Allowable Load Inertia at Wrist	J4	0.8 kg·m ²	
	J5	0.59 kg·m ²	
	J6	0.1 kg·m ²	

OPERATING SPACE



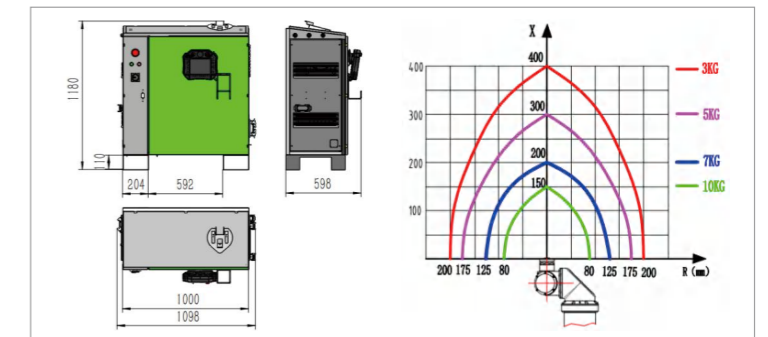
BASE& END FLANGE MOUNTING SIZE



GR-Series Painting Robot

Structure	6-Axis Series Structure		
Installation	Floor,Upside-down,Wall,Angle mount		
Safety Level	EN ISO13849 PLd		
IP Grade	Robot	IP 65	
	Cabinet	IP 54	
Explosion-Proof	China-Gas	Ex db ib pxb IIC T4 Gb	
	China-Dust	Ex tb ib pxb IIIC T135°C Db	
Environment Requirements	Voltage	AC380V(±10%)	
	Power Capacity	5.0 kVA	
	Temperature	0-45 °C	
Arm Payload	Humidity	20-80RH (No Condensation)	
	Outer Arm	8 kg	
Weight	Inner Arm	8 kg	
	Robot	450 kg	
	Cabinet	160 kg	

CONTROL CABINET SIZE&WRIST END LOAD MAP



SELECTION&CONFIGURATION TABLE

Item	Standard	Optional	
Driver	6 Axes	6+2~4 Axes	
Connector Cable	Static	Static	Flexible
	8 m	Max:30 m	
Pendant	10 m	Max:30 m	
DI/DO	12/12	Customized	
Safety DI/DO	8/4	Customized	
AI/AO	/	Customized	
Communication Mode	TCP/IP	ProfiBus Slave	ProfiNet Slave
Memory Capacity	1GB	/	
Connector	USB/TCP/IP	/	
Software Package	Painting Package	Visual Programming	
Program Mode	Pendant	Touch Panel	
Color	RAL6018	Customized	

EFORT INTELLIGENT EQUIPMENT CO.,LTD.

PHONE: (00 86) 400-052-8877
ADDRESS: No.96 East Wanchun Road, China(Anhui) Pilot
Free Trade Zone Wuhu Area, Wuhu, Anhui Province, China
WWW.EFORT.COM.CN