

ER3-600

EFORT

ER3-600,
Maxium payload 3 kg with maxium reach 593 mm.

■ Highlights

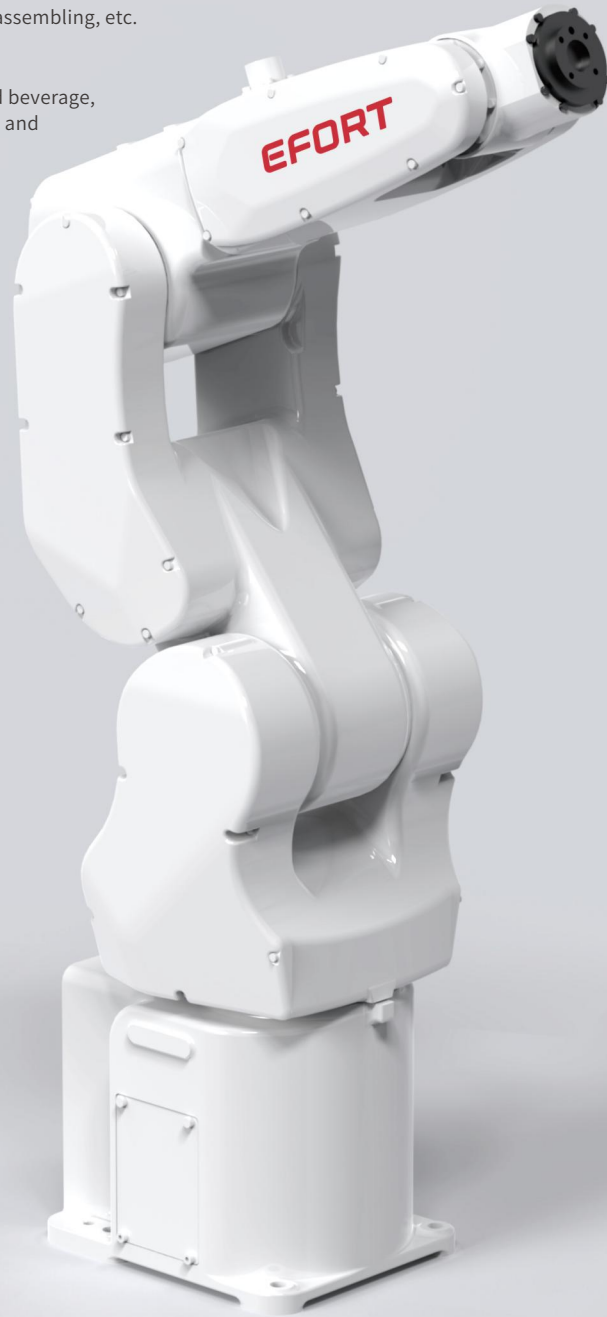
Thanks to its compact structure and built-in cable design, the ER3-600 can be easily integrated and installed, helping customers overcome harsh space installation requirements;
ER3-600 also has a customized disassembly version for education programs, which can meet the education requirements with intelligent manufacturing focus.

■ Applications

It can be used in handling operations, sorting, assembling, etc.

■ Industries

Suitable for electronic manufacturing, food and beverage, metal parts, education, plastic, pharmaceutical and other industries.

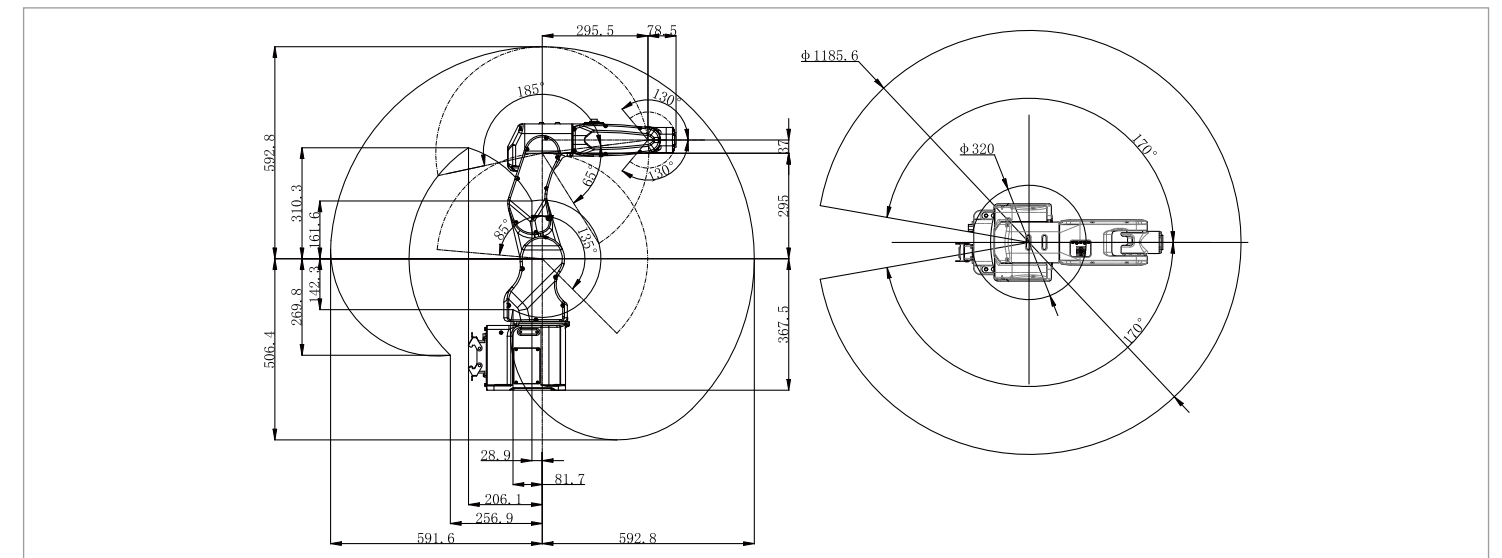


SPECIFICATIONS

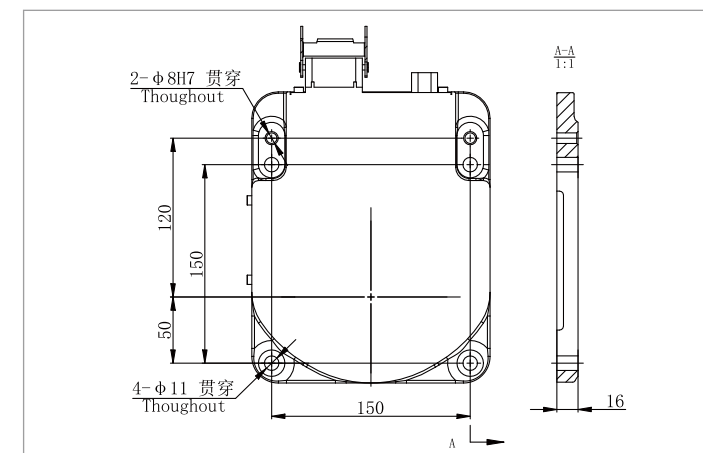
Model	ER3-600	
Type	Articulated	
Controlled axes	6 Axes	
Max. payload on wrist	3 kg	
Repeatability	±0.02 mm	
Robot weight	27 kg	
Reach	593 mm	
Robot IP grade	IP40	
Cabinet IP grade	IP20	
Drive mode	AC servo drive	
Installation	Floor, Upside-down, Wall, Angle	
Installation enviroment	Ambient temperature	0~45 °C
	Ambient humidity	RH≤80% (No dew nor frost allowed)
	Vibration acceleration	4.9 m/s ² (<0.5 G)

Allowable load moment at wrist	J4	4.45 N·m
	J5	4.45 N·m
	J6	2.2 N·m
Allowable load inertia at wrist	J4	0.27 kg·m ²
	J5	0.27 kg·m ²
	J6	0.03 kg·m ²
Maximum speed	J1	400°/sec
	J2	300°/sec
	J3	520°/sec
	J4	500°/sec
	J5	530°/sec
	J6	840°/sec
Motion range	J1	±170°
	J2	+85°-135°
	J3	+185°-65°
	J4	±190°
	J5	±130°
	J6	±360°

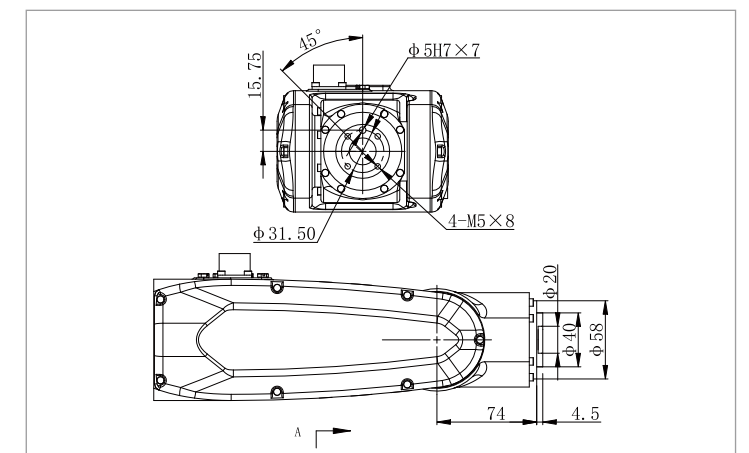
OPERATING SPACE



BASE MOUNTING SIZE



END FLANGE MOUNTING SIZE



EFORT Intelligent Equipment Co., Ltd.

PHONE: (00 86) 400-052-8877

ADDRESS: No.96 East Wanchun Road, China(Anhui) Pilot

Free Trade Zone Wuhu Area, Wuhu, Anhui Province, China

WWW.EFORT.COM.CN