

# ER7-700

**EFORT**

**ER7-700,**  
Maxium payload 7 kg with maxium reach 713 mm.

■ **Highlights**

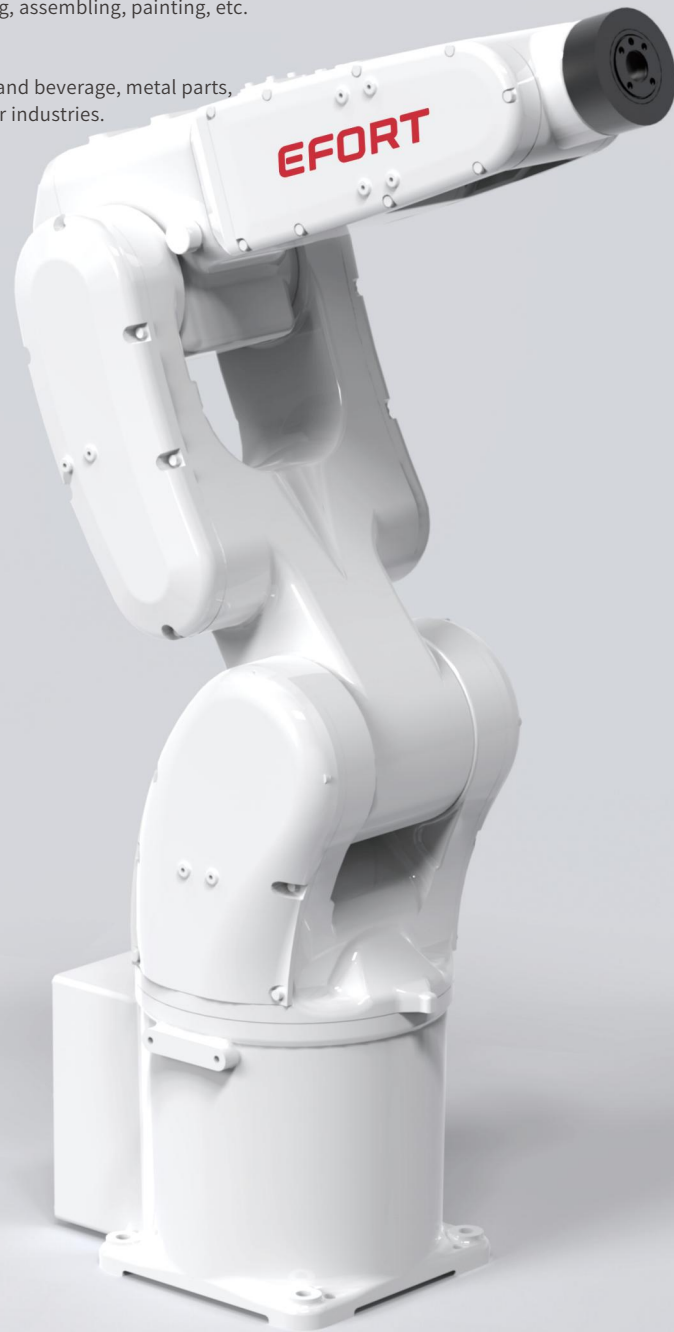
High protection level IP65 of the robor body help customers easy to face dusty, oil misty, high humidity and other harsh environment; Thanks to the high stiffness transmission design and advanced trajectory algorithm, the improved robot accuracy performance helps customers to face variety of application scenarios.

■ **Applications**

It can be used in handling operations, sorting, assembling, painting, etc.

■ **Industries**

Suitable for electronic manufacturing, food and beverage, metal parts, education, plastic, pharmaceutical and other industries.

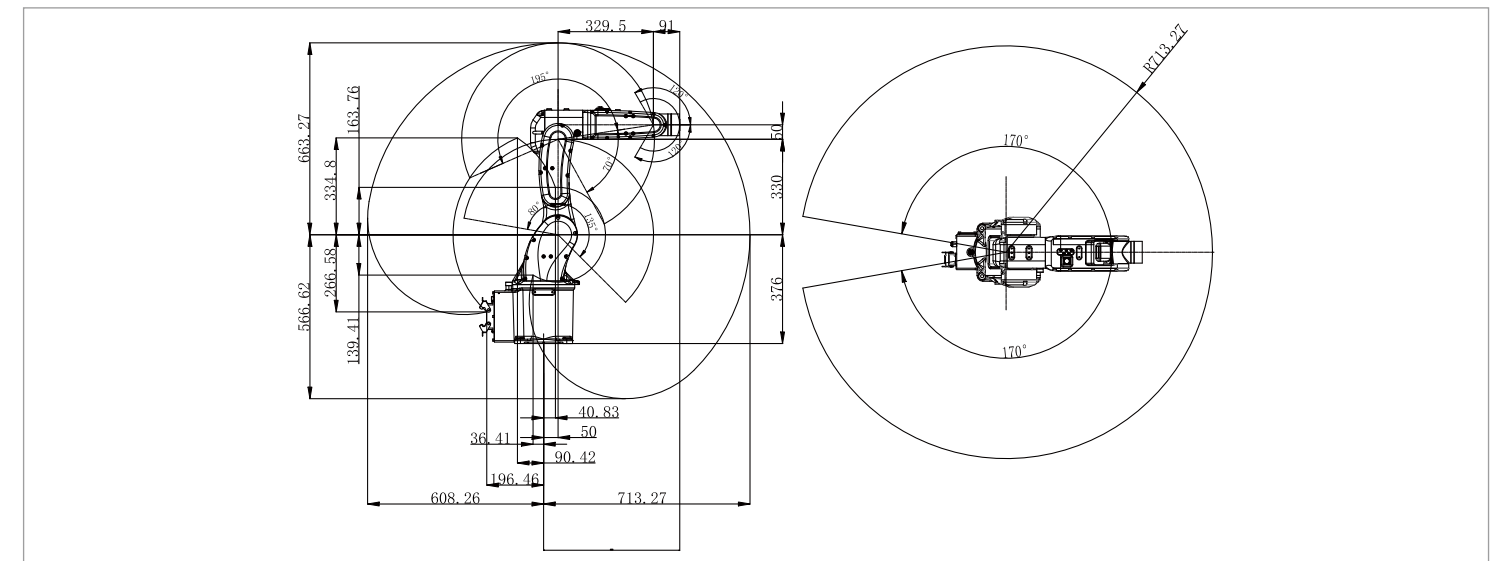


**SPECIFICATIONS**

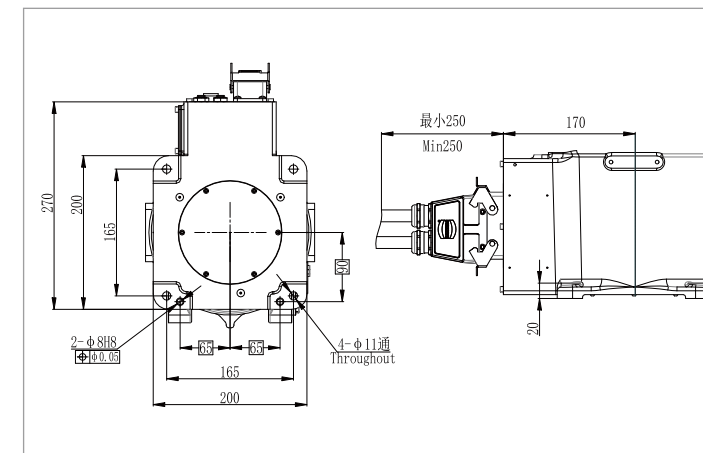
<b>Model</b>	ER7-700	
<b>Type</b>	Articulated	
<b>Controlled axes</b>	6 Axes	
<b>Max. payload on wrist</b>	7 kg	
<b>Repeatability</b>	±0.02 mm	
<b>Robot weight</b>	36 kg	
<b>Reach</b>	713 mm	
<b>Robot IP grade</b>	IP65/IP67 (Wrist)	
<b>Cabinet IP grade</b>	IP20	
<b>Drive mode</b>	AC servo drive	
<b>Installation</b>	Floor, Upside-down, Wall	
<b>Installation enviroment</b>	<b>Ambient temperature</b>	0~45 °C
	<b>Ambient humidity</b>	RH≤80% (No dew nor frost allowed)
	<b>Vibration acceleration</b>	4.9 m/s <sup>2</sup> (<0.5 G)

<b>Allowable load moment at wrist</b>	<b>J4</b>	16 N·m
	<b>J5</b>	16 N·m
	<b>J6</b>	9 N·m
<b>Allowable load inertia at wrist</b>	<b>J4</b>	0.45 kg·m <sup>2</sup>
	<b>J5</b>	0.45 kg·m <sup>2</sup>
	<b>J6</b>	0.14 kg·m <sup>2</sup>
<b>Maximum speed</b>	<b>J1</b>	380°/sec
	<b>J2</b>	350°/sec
	<b>J3</b>	400°/sec
	<b>J4</b>	450°/sec
	<b>J5</b>	450°/sec
	<b>J6</b>	720°/sec
<b>Motion range</b>	<b>J1</b>	±170°
	<b>J2</b>	+80°-135°
	<b>J3</b>	+195°/-70°
	<b>J4</b>	±190°
	<b>J5</b>	±120°
	<b>J6</b>	±360°

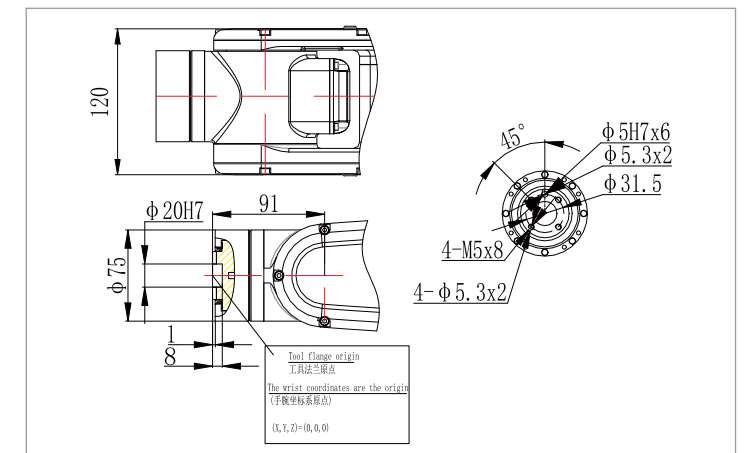
**OPERATING SPACE**



**BASE MOUNTING SIZE**



**END FLANGE MOUNTING SIZE**



**EFORT Intelligent Equipment Co., Ltd.**  
PHONE: (00 86) 400-052-8877  
ADDRESS: No.96 East Wanchun Road, China(Anhui) Pilot Free Trade Zone Wuhu Area, Wuhu, Anhui Province, China  
WWW.EFORT.COM.CN