

ER10-700

EFORT

ER10-700,
Maxium payload 10 kg with maxium reach 712 mm.

■ **Highlights**

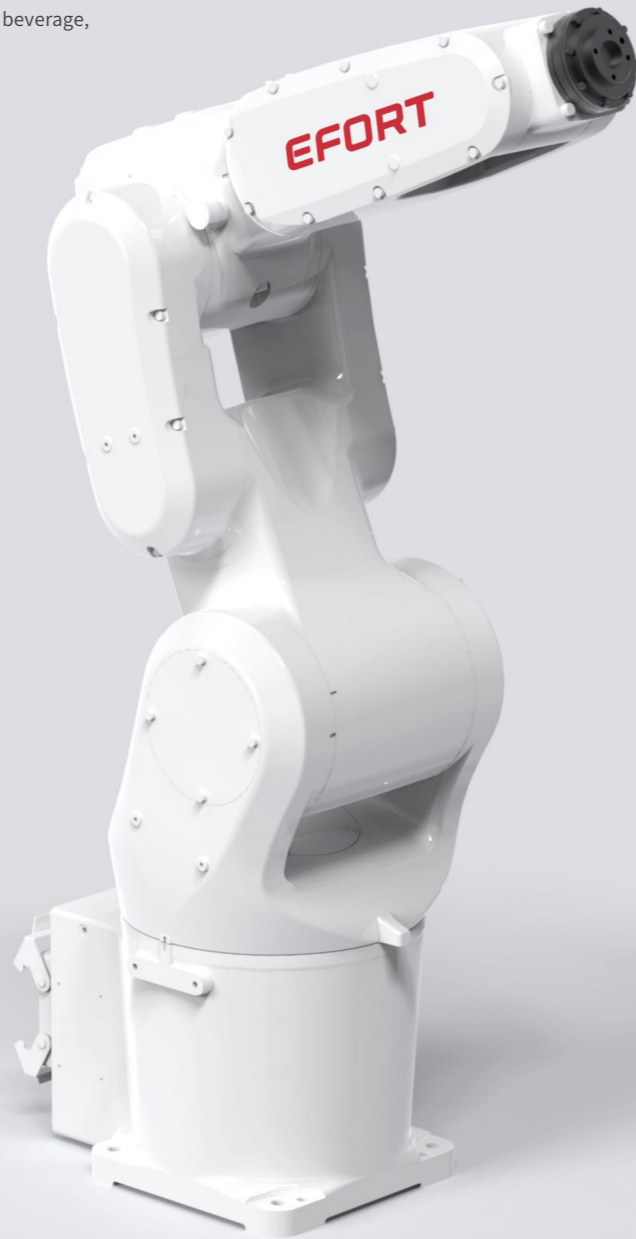
High protection level IP65 of the robor body help customers easy to face dusty, oil misty, high humidity and other harsh environment;
Thanks to the high stiffness transmission design and advanced trajectory algorithm, the improved robot accuracy performance helps customers to face variety of application scenarios.

■ **Applications**

It can be used for handling operations(machine tending), sorting, assembling, grinding, polishing, etc.

■ **Industries**

Suitable for electronic manufacturing, food and beverage, metal parts, education, plastic, pharmaceutical and other industries.

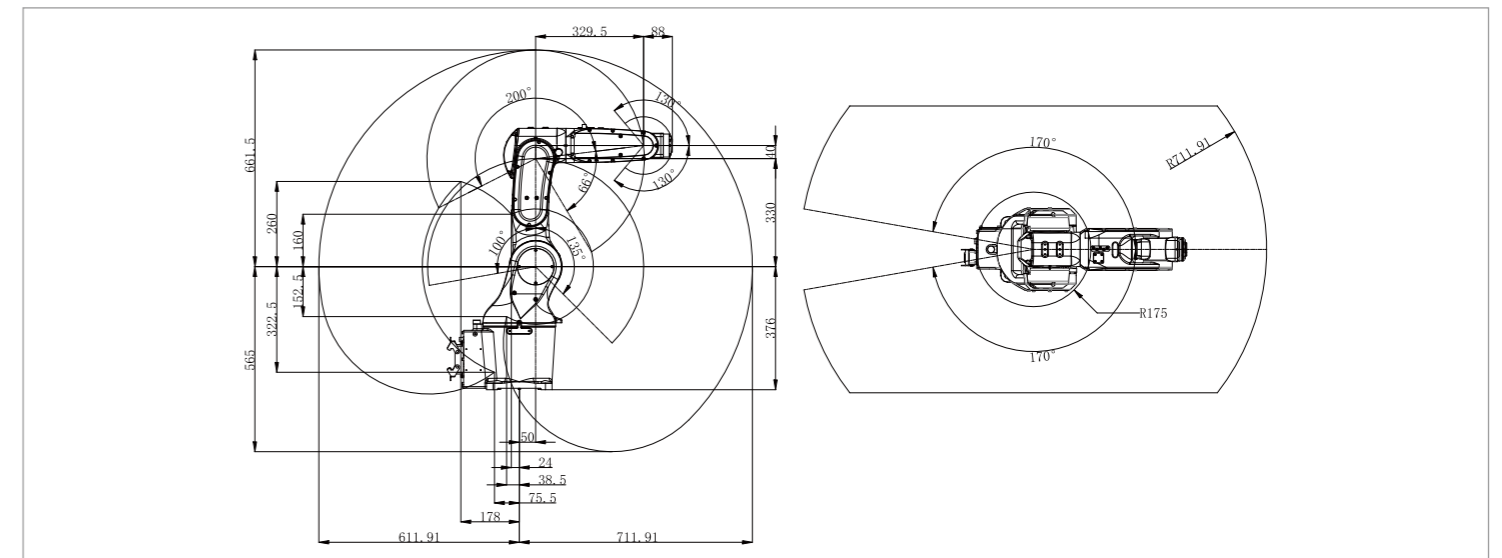


SPECIFICATIONS

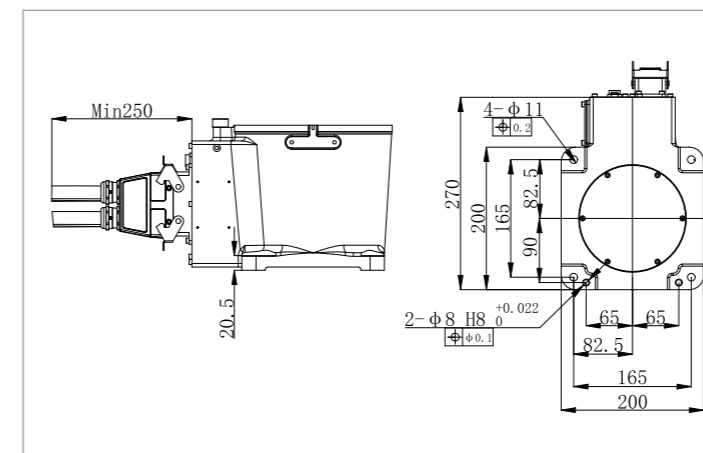
Model	ER10-700	
Type	Articulated	
Controlled axes	6 Axes	
Max. payload on wrist	10 kg	
Repeatability	±0.02 mm	
Robot weight	41 kg	
Reach	712 mm	
Robot IP grade	IP65/IP67 (Wrist)	
Cabinet IP grade	IP20/IP54 (Optional)	
Drive mode	AC servo drive	
Installation	Floor, Upside-down, Wall	
Installation enviroment	Ambient temperature	0~45 °C
	Ambient humidity	RH≤80% (No dew nor frost allowed)
	Vibration acceleration	4.9 m/s ² (<0.5 G)

Allowable load moment at wrist	J4	20 N·m
	J5	20 N·m
	J6	10 N·m
Allowable load inertia at wrist	J4	0.60 kg·m ²
	J5	0.60 kg·m ²
	J6	0.20 kg·m ²
Maximum speed	J1	330°/sec
	J2	300°/sec
	J3	400°/sec
	J4	450°/sec
	J5	420°/sec
	J6	600°/sec
Motion range	J1	±170°
	J2	+100°/-135°
	J3	+200°/-66°
	J4	±190°
	J5	±130°
	J6	±360°

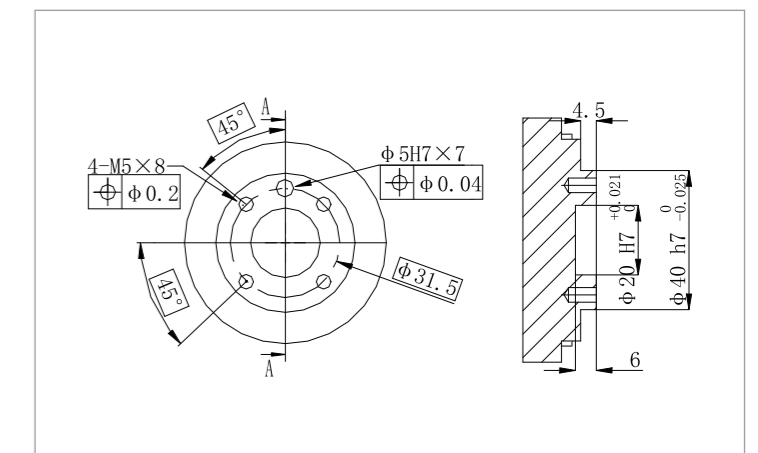
OPERATING SPACE



BASE MOUNTING SIZE



END FLANGE MOUNTING SIZE



EFORT Intelligent Equipment Co., Ltd.
PHONE: (00 86) 400-052-8877
ADDRESS: No.96 East Wanchun Road, China(Anhui) Pilot
Free Trade Zone Wuhu Area, Wuhu, Anhui Province, China
WWW.EFORT.COM.CN