

ER35-2700

EFORT

ER35-2700,
Maxium payload 35 kg with maxium reach 2711 mm.

Highlights

Thanks to the high stiffness structure, with high-speed intelligent palletizing application software, the takt is improved by 20%, bring customers more efficiency;
Multiple specific application software could be integrated, with soft PLC and a variety of field bus interface, which enable customers easily face various application challenges;
High performance collision detection function helps safety realization.

Applications

It can be used in handling operations, palletizing, etc.

Industries

Suitable for metal parts, photovoltaic, logistics, cement, food and beverage and other industries.

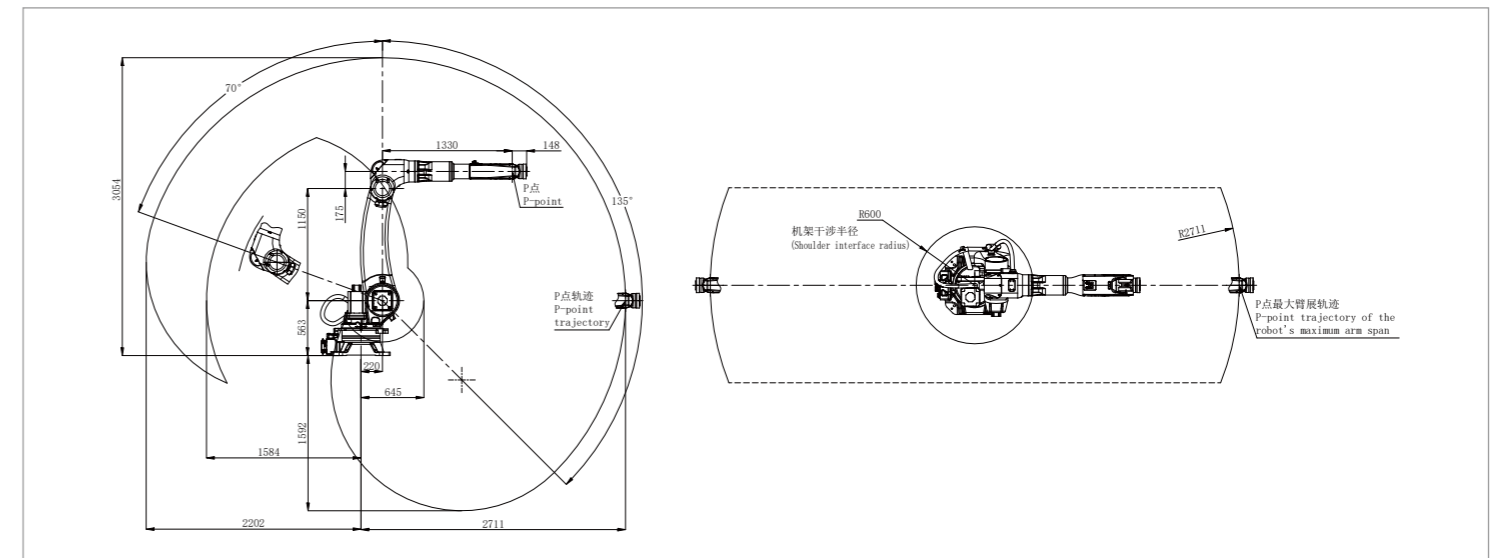


SPECIFICATIONS

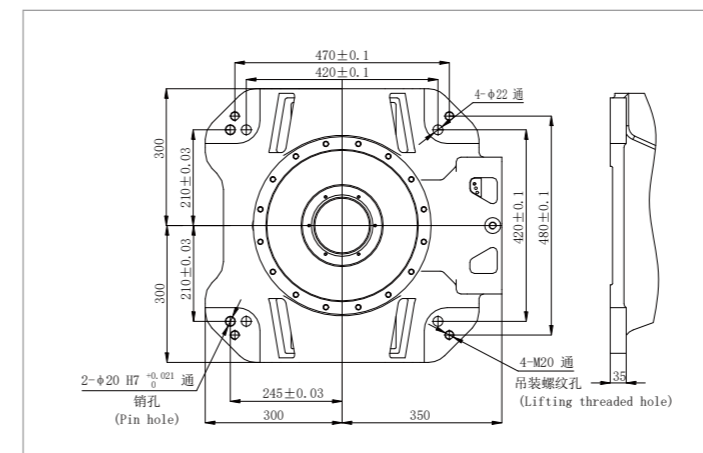
Model	ER35-2700	
Type	Articulated	
Controlled axes	6 Axes	
Max. payload on wrist	35 kg	
Repeatability	±0.05 mm	
Robot weight	610 kg	
Reach	2711 mm	
Robot IP grade	IP54	
Cabinet IP grade	IP54	
Drive mode	AC servo drive	
Installation	Floor	
Installation enviroment	Ambient temperature	0~45 °C
	Ambient humidity	RH≤80% (No dew nor frost allowed)
	Vibration acceleration	4.9 m/s ² (<0.5 G)

Allowable load moment at wrist	J4	185 N·m
	J5	185 N·m
	J6	120 N·m
Allowable load inertia at wrist	J4	13 kg·m ²
	J5	13 kg·m ²
	J6	10 kg·m ²
Maximum speed	J1	190°/sec
	J2	190°/sec
	J3	180°/sec
	J4	350°/sec
	J5	270°/sec
	J6	400°/sec
Motion range	J1	±180°
	J2	+70°-135°
	J3	+170°-80°
	J4	±200°
	J5	±120°
	J6	±360°

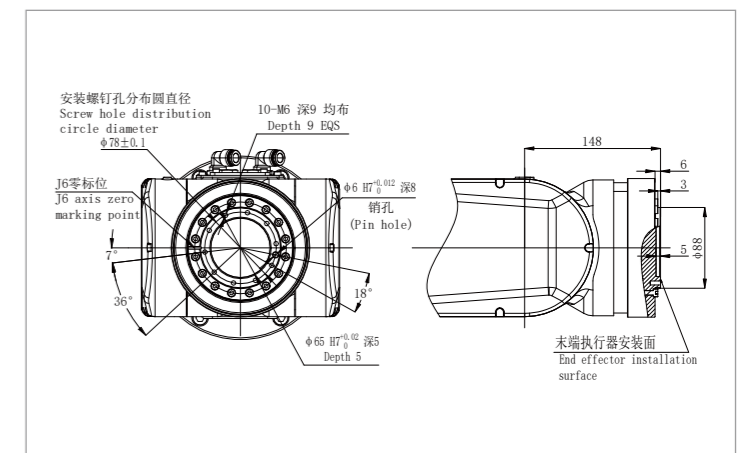
OPERATING SPACE



BASE MOUNTING SIZE



END FLANGE MOUNTING SIZE



EFORT Intelligent Equipment Co., Ltd.
PHONE: (00 86) 400-052-8877
ADDRESS: No.96 East Wanchun Road, China(Anhui) Pilot
Free Trade Zone Wuhu Area, Wuhu, Anhui Province, China
WWW.EFORT.COM.CN