

ER50-2700

EFORT

ER50-2700,
Maxium payload 50 kg with maxium reach 2750 mm.

Highlights

Thanks to the high stiffness structure, with high-speed intelligent palletizing application software, the takt is improved by 20%, bring customers more efficiency;
Multiple specific application software could be integrated, with soft PLC and a variety of field bus interface, which enable customers easily face various application challenges;
High performance collision detection function helps safety realization.

Applications

It can be used in handling operations, palletizing, etc.

Industries

Suitable for metal parts, photovoltaic, logistics, cement, food and beverage and other industries.



EFORT Intelligent Equipment Co., Ltd.

PHONE: (00 86) 400-052-8877

ADDRESS: No.96 East Wanchun Road, China(Anhui) Pilot

Free Trade Zone Wuhu Area, Wuhu, Anhui Province, China

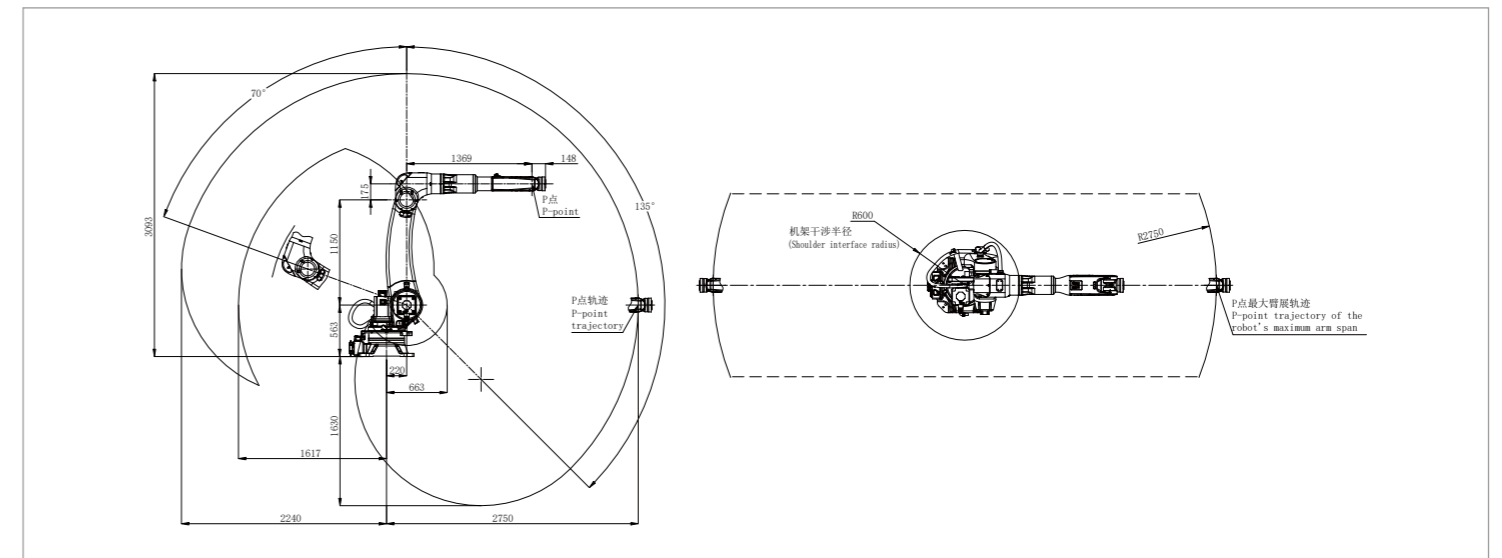
WWW.EFORT.COM.CN

SPECIFICATIONS

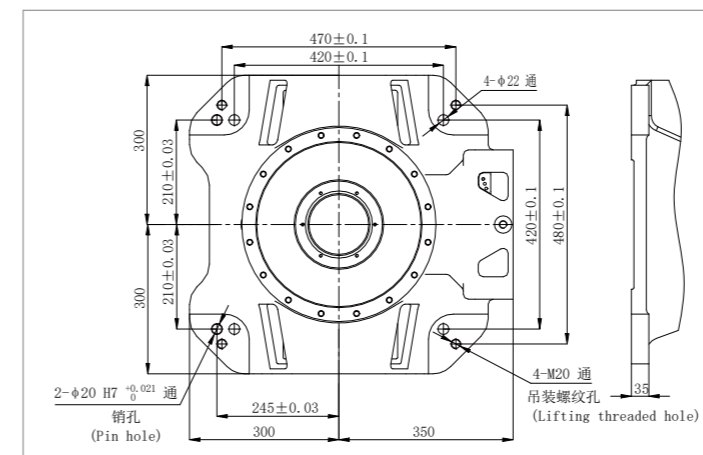
Model	ER50-2700	
Type	Articulated	
Controlled axes	6 Axes	
Max. payload on wrist	50 kg	
Repeatability	±0.05 mm	
Robot weight	615 kg	
Reach	2750 mm	
Robot IP grade	IP54	
Cabinet IP grade	IP54	
Drive mode	AC servo drive	
Installation	Floor	
Installation enviroment	Ambient temperature	0~45 °C
	Ambient humidity	RH≤80% (No dew nor frost allowed)
	Vibration acceleration	4.9 m/s ² (<0.5 G)

Allowable load moment at wrist	J4	204 N·m
	J5	204 N·m
	J6	120 N·m
Allowable load inertia at wrist	J4	16 kg·m ²
	J5	16 kg·m ²
	J6	10 kg·m ²
Maximum speed	J1	180°/sec
	J2	180°/sec
	J3	165°/sec
	J4	300°/sec
	J5	225°/sec
	J6	360°/sec
Motion range	J1	±180°
	J2	+70°-135°
	J3	+170°-80°
	J4	±200°
	J5	±120°
	J6	±360°

OPERATING SPACE



BASE MOUNTING SIZE



END FLANGE MOUNTING SIZE

