

# ER50-1900

**EFORT**

**ER50-1900,**  
Maxium payload 50 kg with maxium reach 1855 mm.

■ **Highlights**

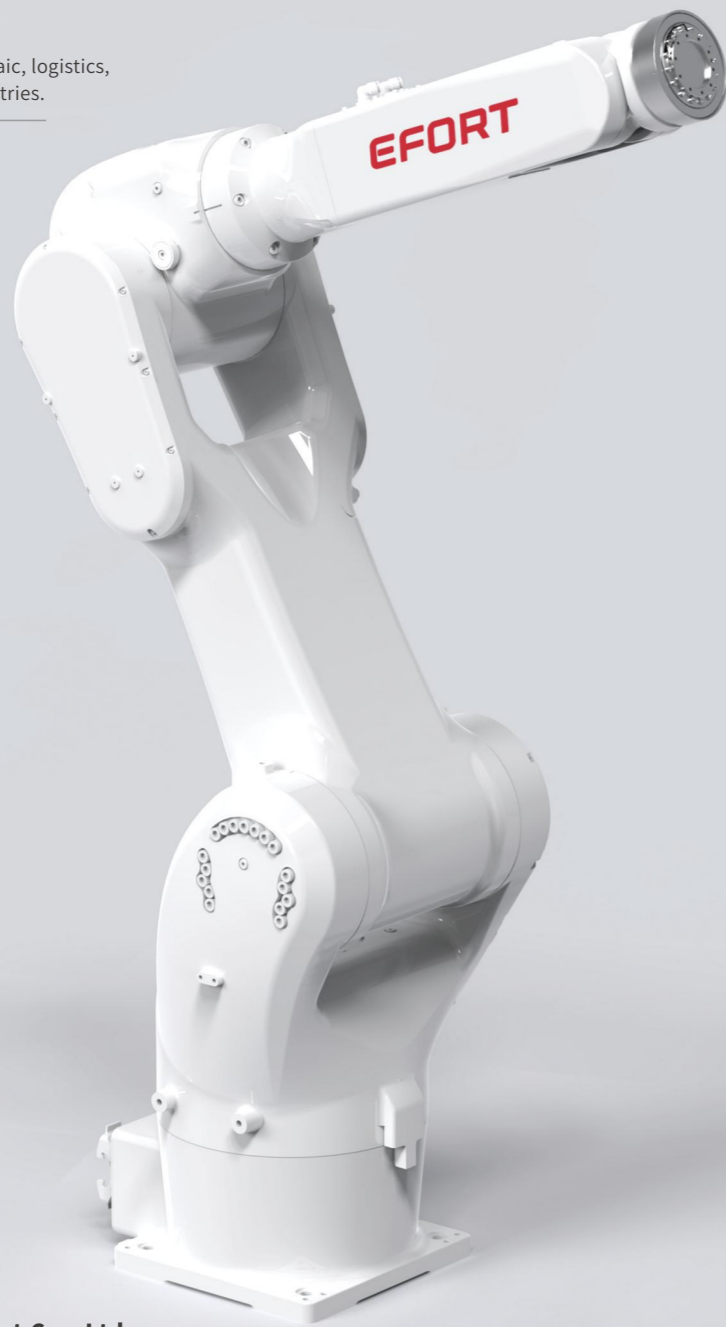
Thanks to the optimization of stiffness and inertia brought by the new mechanical design, with advanced trajectory algorithm. The takt improved by 20%-30%; Compact cabinet design helps customers deploy the production line with more flexibility.

■ **Applications**

It can be used in handling operations, assembling, grinding, polishing, deburring, etc.

■ **Industries**

Suitable for metal parts, photovoltaic, logistics, food and beverage and other industries.



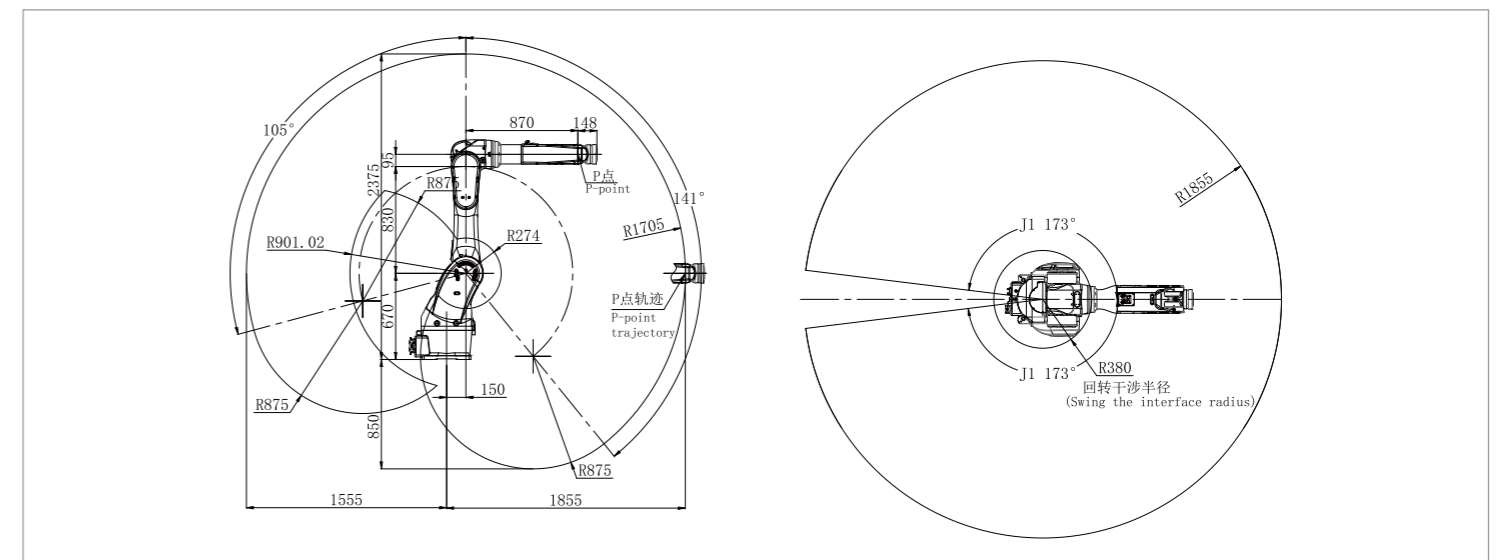
**EFORT Intelligent Equipment Co., Ltd.**  
PHONE: (00 86) 400-052-8877  
ADDRESS: No.96 East Wanchun Road, China(Anhui) Pilot  
Free Trade Zone Wuhu Area, Wuhu, Anhui Province, China  
WWW.EFORT.COM.CN

**SPECIFICATIONS**

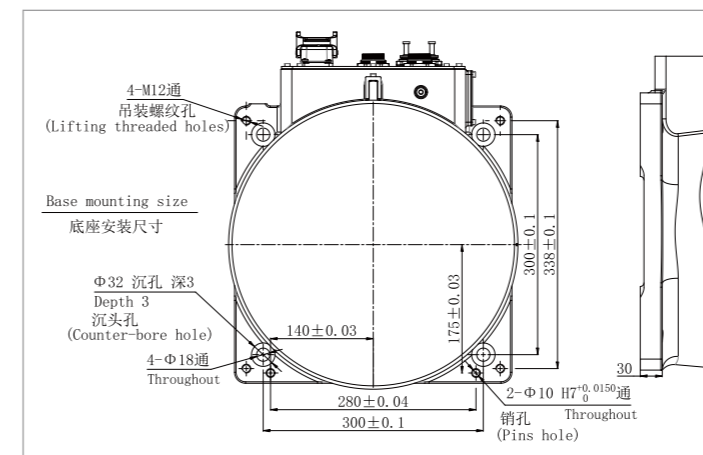
<b>Model</b>	ER50-1900	
<b>Type</b>	Articulated	
<b>Controlled axes</b>	6 Axes	
<b>Max. payload on wrist</b>	50 kg	
<b>Repeatability</b>	±0.05 mm	
<b>Robot weight</b>	326 kg	
<b>Reach</b>	1855 mm	
<b>Robot IP grade</b>	IP54	
<b>Cabinet IP grade</b>	IP20	
<b>Drive mode</b>	AC servo drive	
<b>Installation</b>	Floor	
<b>Installation enviroment</b>	<b>Ambient temperature</b>	0~45 °C
	<b>Ambient humidity</b>	RH≤80% (No dew nor frost allowed)
	<b>Vibration acceleration</b>	4.9 m/s <sup>2</sup> (<0.5 G)

<b>Allowable load moment at wrist</b>	<b>J4</b>	185 N·m
	<b>J5</b>	185 N·m
	<b>J6</b>	120 N·m
<b>Allowable load inertia at wrist</b>	<b>J4</b>	13 kg·m <sup>2</sup>
	<b>J5</b>	13 kg·m <sup>2</sup>
	<b>J6</b>	10 kg·m <sup>2</sup>
<b>Maximum speed</b>	<b>J1</b>	190°/sec
	<b>J2</b>	190°/sec
	<b>J3</b>	200°/sec
	<b>J4</b>	300°/sec
	<b>J5</b>	270°/sec
	<b>J6</b>	400°/sec
<b>Motion range</b>	<b>J1</b>	±173°
	<b>J2</b>	+105°/-141°
	<b>J3</b>	+200°/-78°
	<b>J4</b>	±190°
	<b>J5</b>	±120°
	<b>J6</b>	±360°

**OPERATING SPACE**



**BASE MOUNTING SIZE**



**END FLANGE MOUNTING SIZE**

