

ER70-2100

EFORT

ER70-2100,
Maxium payload 70 kg with maxium reach 2146 mm.

■ Highlights

Thanks to the high stiffness structure, with high-speed intelligent palletizing application software, the takt is improved by 20%, bring customers more efficiency;
Multiple specific application software could be integrated, with soft PLC and a variety of field bus interface, which enable customers easily face various application challenges;
High performance collision detection function helps safety realization.

■ Applications

It can be used in grinding, polishing, handling operations, palletizing, etc.

■ Industries

Suitable for auto parts, photovoltaic, food and beverage, building materials, logistics and warehousing and other industries.

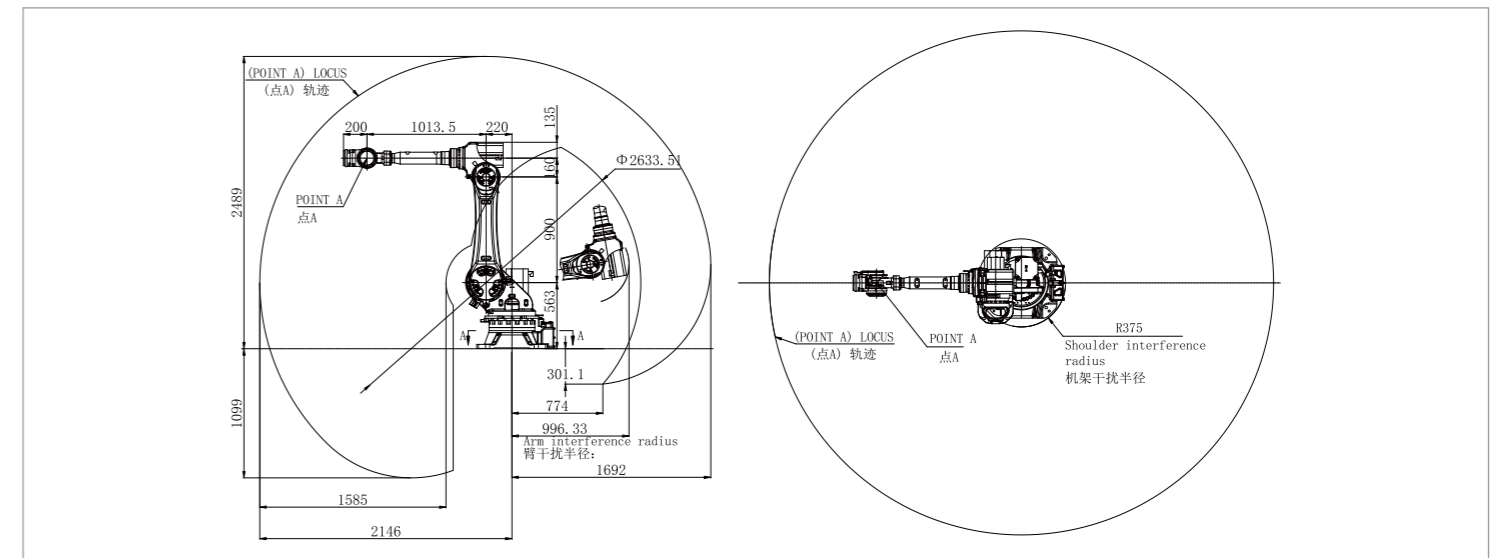


SPECIFICATIONS

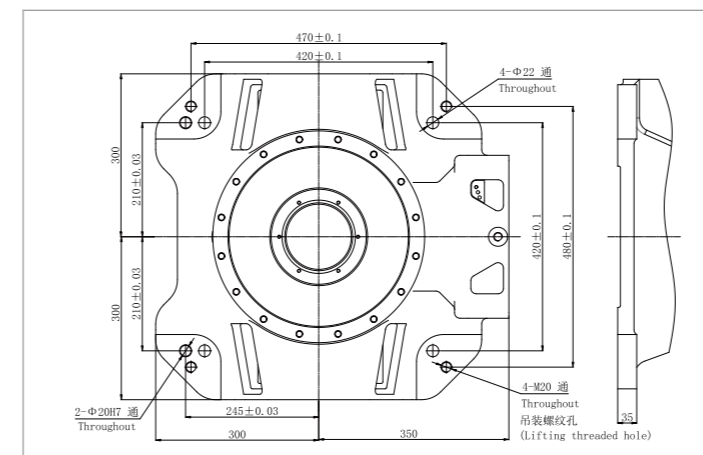
Model	ER70-2100	
Type	Articulated	
Controlled axes	6 Axes	
Max. payload on wrist	70 kg	
Repeatability	±0.06 mm	
Robot weight	550 kg	
Reach	2146 mm	
Robot IP grade	IP54/IP67 (Wrist)	
Cabinet IP grade	IP54	
Drive mode	AC servo drive	
Installation	Floor	
Installation enviroment	Ambient temperature	0~45 °C
	Ambient humidity	RH≤80% (No dew nor frost allowed)
	Vibration acceleration	4.9 m/s ² (<0.5 G)

Allowable load moment at wrist	J4	182 N·m
	J5	182 N·m
	J6	120 N·m
Allowable load inertia at wrist	J4	12.68 kg·m ²
	J5	12.68 kg·m ²
	J6	10 kg·m ²
Maximum speed	J1	190°/sec
	J2	150°/sec
	J3	186°/sec
	J4	300°/sec
	J5	280°/sec
	J6	400°/sec
Motion range	J1	±180°
	J2	+70°/-130°
	J3	+175°/-80°
	J4	±360°
	J5	±115°
	J6	±450°

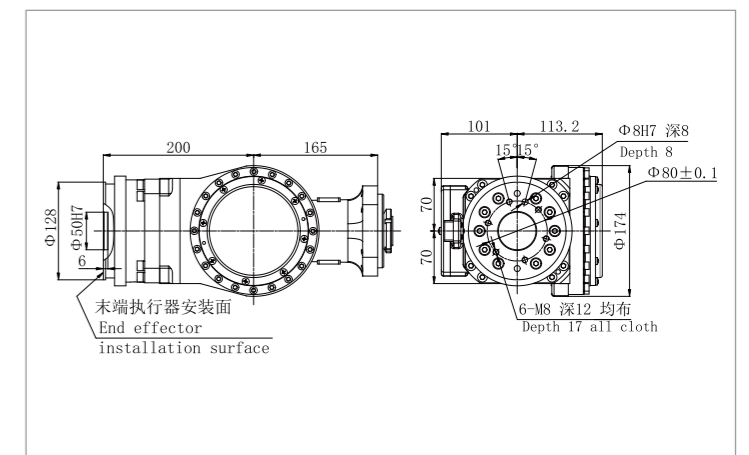
OPERATING SPACE



BASE MOUNTING SIZE



END FLANGE MOUNTING SIZE



EFORT Intelligent Equipment Co., Ltd.
PHONE: (00 86) 400-052-8877
ADDRESS: No.96 East Wanchun Road, China(Anhui) Pilot
Free Trade Zone Wuhu Area, Wuhu, Anhui Province, China
WWW.EFORT.COM.CN