

ER300-2700

EFORT

ER300-2700,
Maxium payload 300 kg with maxium reach 2702 mm.

Highlights

A brand new heavy-duty platform product, with all shafts connected by rigid gears, providing superior torque performance for the robot wrist;
The robot's repeated positioning accuracy has been improved by 50%, which belongs to the leading level in the same level and can cope with various high-precision application scenarios;
Combining high rigidity transmission design with advanced trajectory algorithms, it has stronger dynamic performance and more stable high-speed operation.

Applications

It can be used in Spot welding, SW-Stud welding, handling operations, cell changing disc and group disc, palletizing, assembling, grinding, polishing, etc.

Industries

Suitable for auto, Lithium battery, photovoltaic, food and beverage, building materials, logistics and warehousing and other industries.

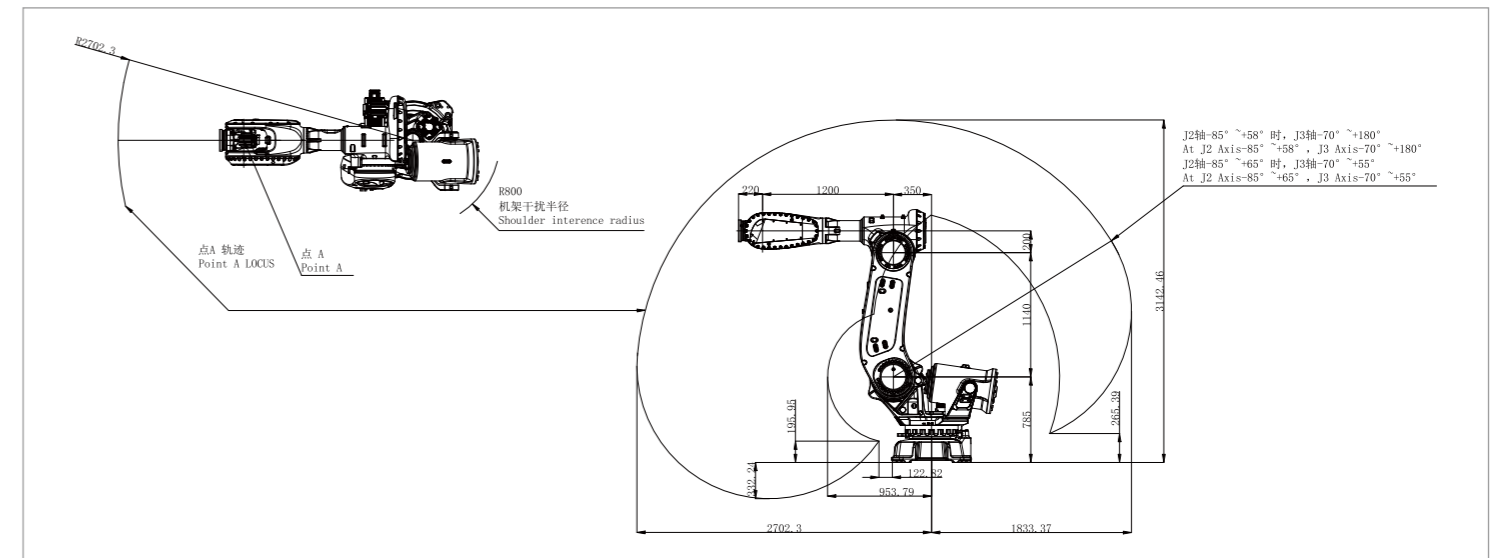


SPECIFICATIONS

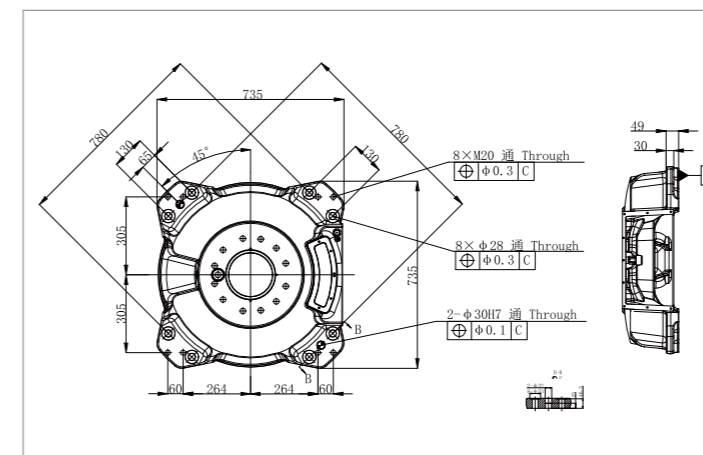
Model	ER300-2700	
Type	Articulated	
Controlled axes	6 Axes	
Max. payload on wrist	300 kg	
Repeatability	±0.05 mm	
Robot weight	1580 kg	
Reach	2702 mm	
Robot IP grade	IP65	
Cabinet IP grade	IP54	
Drive mode	AC servo drive	
Installation	Floor	
Installation enviroment	Ambient temperature	0~45 °C
	Ambient humidity	RH≤80% (No dew nor frost allowed)
	Vibration acceleration	4.9 m/s ² (<0.5 G)

Allowable load moment at wrist	J4	1830 N·m
	J5	1830 N·m
	J6	900 N·m
Allowable load inertia at wrist	J4	325 kg·m ²
	J5	325 kg·m ²
	J6	230 kg·m ²
Maximum speed	J1	105°/sec
	J2	100°/sec
	J3	110°/sec
	J4	140°/sec
	J5	110°/sec
	J6	180°/sec
Motion range	J1	±185°
	J2	+65°-85°
	J3	+180°-70°
	J4	±360°
	J5	±130°
	J6	±360°

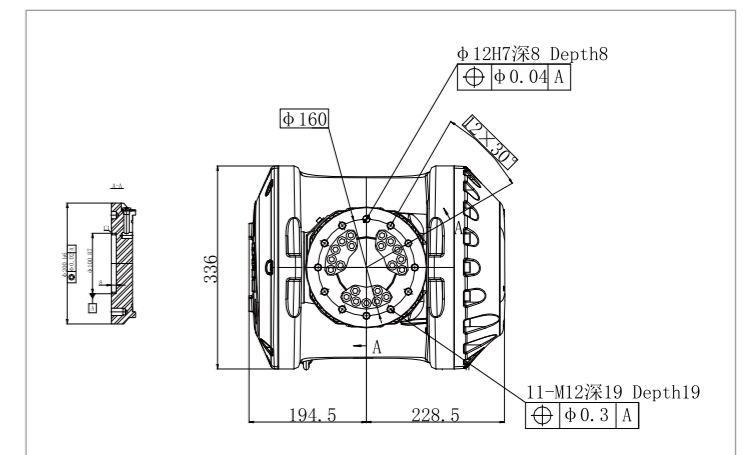
OPERATING SPACE



BASE MOUNTING SIZE



END FLANGE MOUNTING SIZE



EFORT Intelligent Equipment Co., Ltd.

PHONE: (00 86) 400-052-8877

ADDRESS: No.96 East Wanchun Road, China(Anhui) Pilot

Free Trade Zone Wuhu Area, Wuhu, Anhui Province, China

WWW.EFORT.COM.CN