

ER180-4-3200

EFORT

ER180-4-3200,
Maxium payload 180 kg with maxium reach 3160 mm.

Highlights

Thanks to the excellent stiffness of the robot with sufficient arm span and high-speed intelligent palletization process package, the takt is improved by 15%, bring customers more efficiency;
Multiple specific application software could be integrated, with soft PLC and a variety of field bus interface, which enable customers easily face various application challenges;
High performance collision detection function helps safety realization.

Applications

It can be used in handling operations, palletizing, etc.

Industries

Suitable for metal parts, photovoltaic, logistics, cement, food and beverage, and other industries.

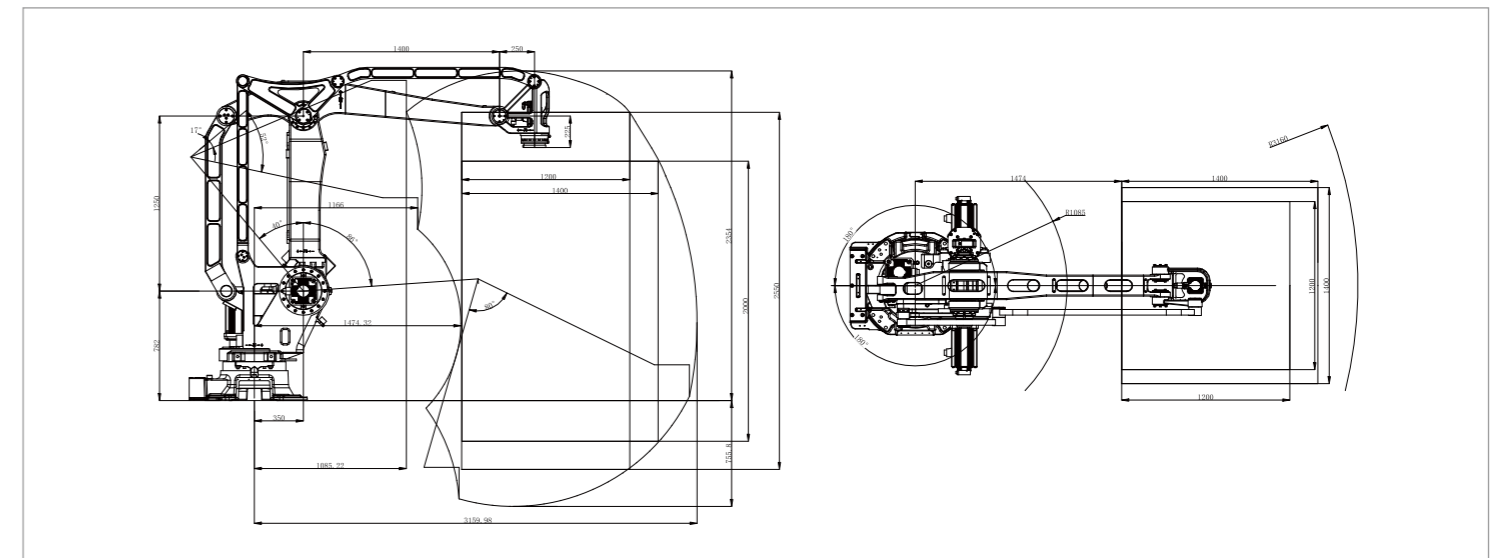


SPECIFICATIONS

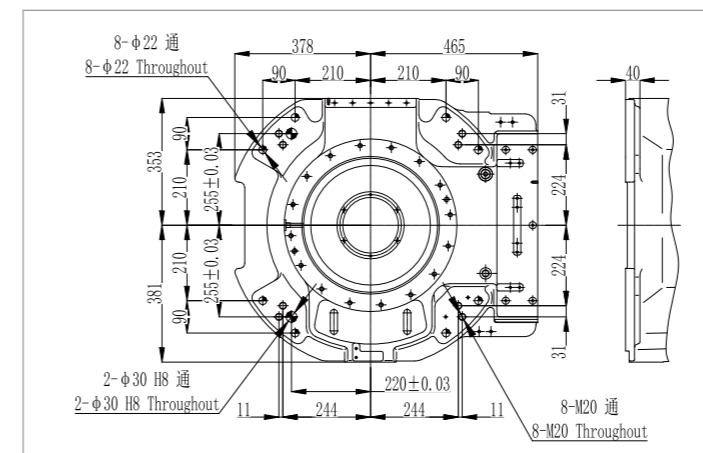
Model	ER180-4-3200	
Type	Articulated	
Controlled axes	4 Axes	
Max. payload on wrist	180 kg	
Repeatability	±0.1 mm	
Robot weight	1350 kg	
Reach	3160 mm	
Robot IP grade	IP54/ IP65 (Optional)	
Cabinet IP grade	IP54	
Installation enviroment	Ambient temperature	0~45 °C
	Ambient humidity	RH≤80% (No dew nor frost allowed)
	Vibration acceleration	4.9 m/s ² (<0.5 G)

Drive mode	AC servo drive	
Installation	Floor, Wall	
Allowable load moment at wrist	J4	190 N·m
	J4	56.6 kg·m ²
Maximum speed	J1	104°/sec
	J2	104°/sec
	J3	104°/sec
	J4	210°/sec
Motion range	J1	±180°
	J2	+40°/-86°
	J3	+60°/-52°
	J4	±360°
	J2+J3	-106° < (J2+J3) < +23°

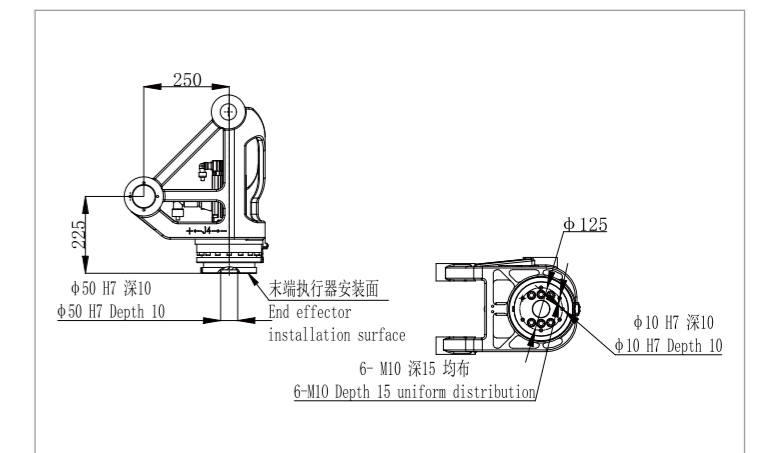
OPERATING SPACE



BASE MOUNTING SIZE



END FLANGE MOUNTING SIZE



EFORT Intelligent Equipment Co., Ltd.
PHONE: (00 86) 400-052-8877
ADDRESS: No.96 East Wanchun Road, China(Anhui) Pilot
Free Trade Zone Wuhu Area, Wuhu, Anhui Province, China
WWW.EFORT.COM.CN