

**EFORT**

# ESR65-1200Z40

**ESR65-1200Z40,**  
**Maxium payload 65 kg with maxium reach 1200 mm.**

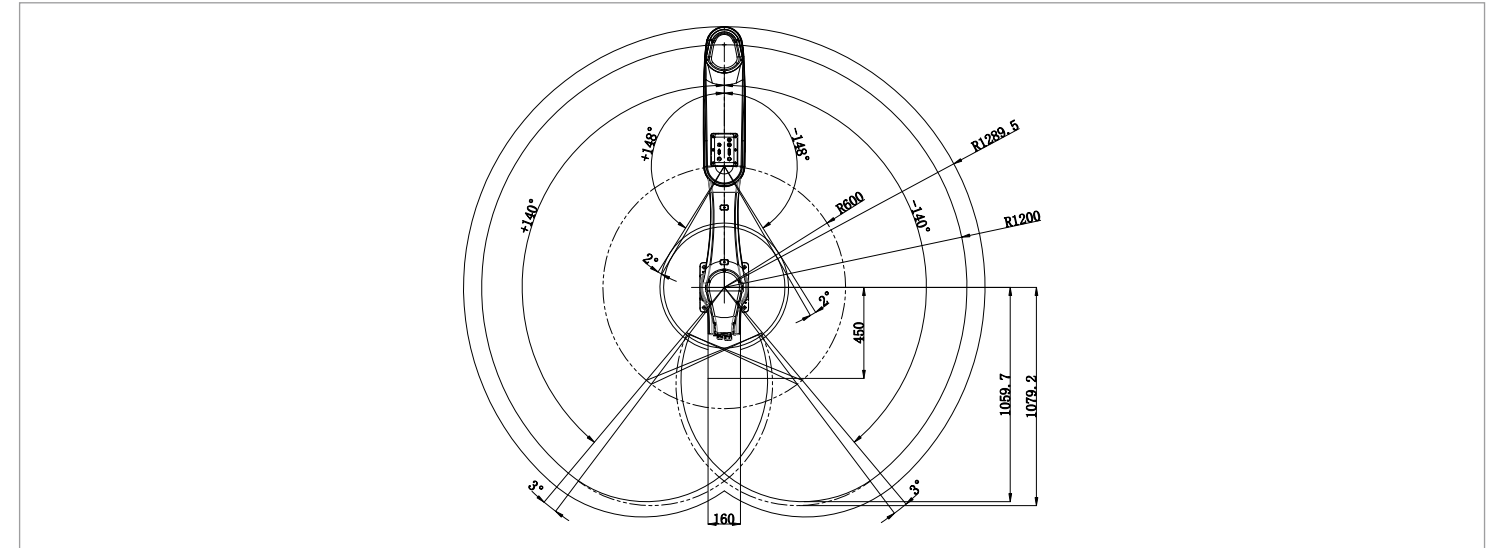
- **Highlights**
  1. High rhythm and high precision  
The fastest standard cycle time can reach 0.52 s, and the robot positioning accuracy can reach 0.03 mm.
  2. High rigidity and low vibration  
Robot body mode and rigidity enhancement, combined with vibration suppression and active vibration suppression functions, effectively reduce vibration.
  3. Easy to maintain and scalable  
The detachable structure of cables and batteries allows for the replacement of robots inside the device.
- **Applications**  
It can be used in handling, sorting, assembly, etc.
- **Industries**  
Suitable for industries such as lithium batteries, automotive electronics, and photovoltaics.



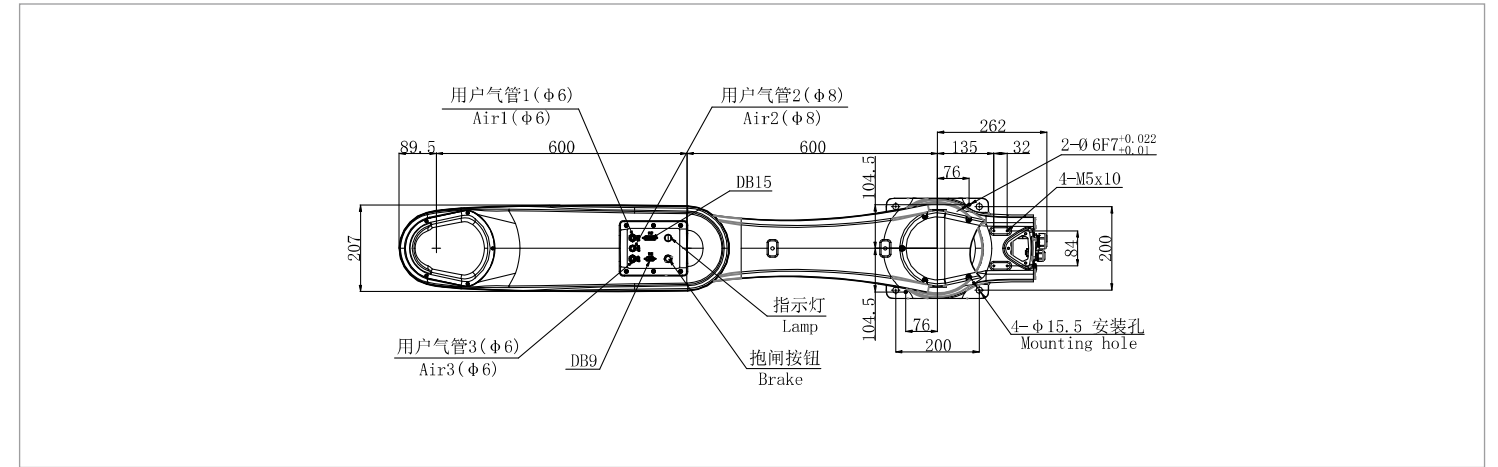
## SPECIFICATIONS

<b>Model</b>		ESR65-1200Z40
<b>Reach</b>		1200 mm
<b>Max. payload on wrist</b>	Rated	20 kg
	Maximum	65 kg
<b>Robot weight</b>		128 kg
<b>Maximum speed</b>	J1+J2	8500 mm/sec
	J3	1120 mm/sec
	J4	645°/sec
	J1	±140°
<b>Motion range</b>	J2	±148°
	J3	400 mm
	J4	±360°
	J1+J2	±0.03 mm
<b>Repeatability</b>	J3	±0.02 mm
	J4	±0.01°
	<b>Standard cycle time</b>	
<b>J4 allowable moment of inertia</b>	Rated	1 kg·m <sup>2</sup>
	Maximum	2.45 kg·m <sup>2</sup>
<b>Electric lines</b>		D-Sub 9-Pin+15-Pin
<b>Pneumatic lines</b>		φ6 mmx2, φ8 mmx1
<b>J3 downward force</b>		/
<b>Installation</b>		Floor
<b>Installation enviroment</b>	Ambient temperature	5~40°C
	Ambient humidity	RH≤80% (No dew nor frost allowed)

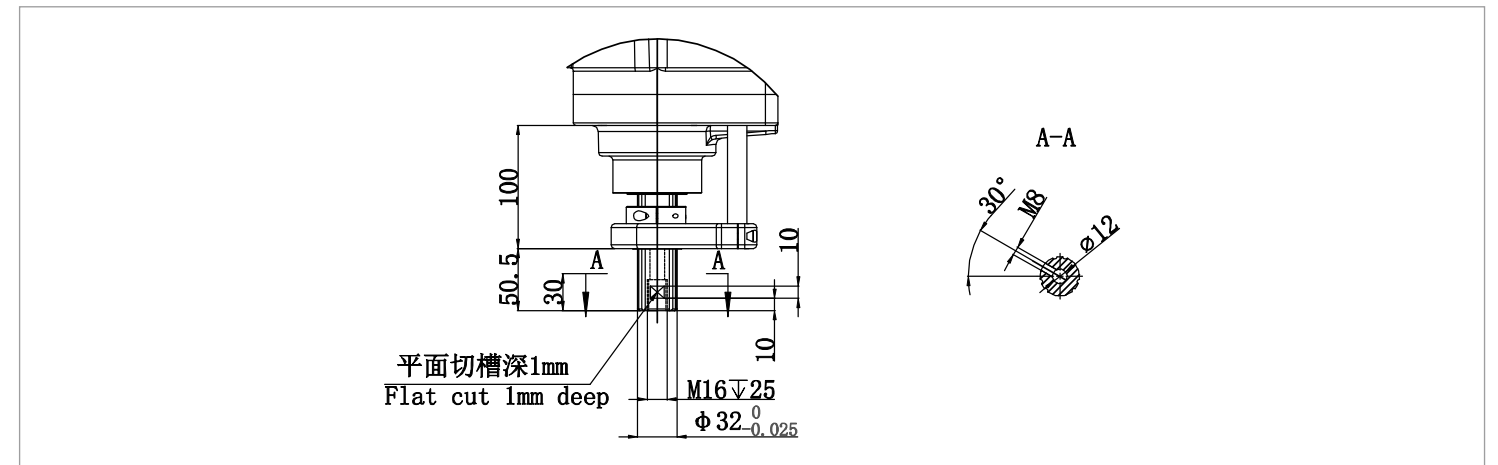
## OPERATING SPACE



## BASE MOUNTING SIZE



## END FLANGE MOUNTING SIZE



Information Release Time 2025/02

PHONE: (00 86) 400-052-8877  
 ADDRESS: No.96 East Wanchun Road, China(Anhui) Pilot  
 Free Trade Zone Wuhu Area, Wuhu, Anhui Province, China  
 WWW.EFORT.COM.CN

**EFORT Intelligent Equipment Co., Ltd.**